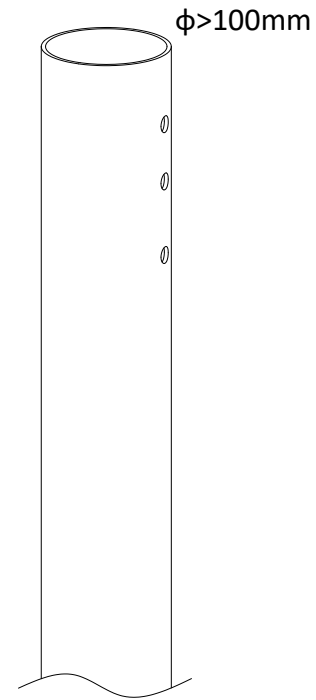
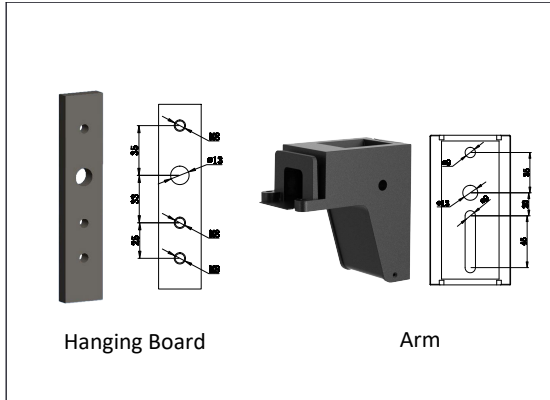


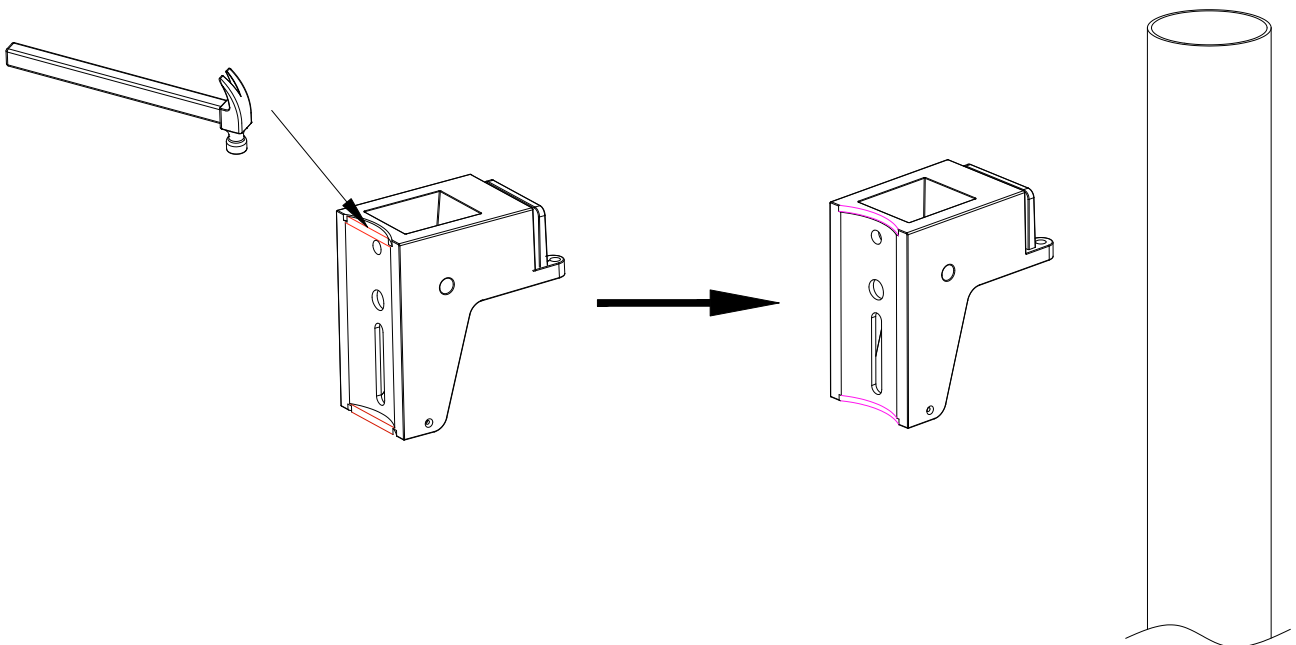
Notes : Do not energize luminaire until installation is completed.
General contractor is responsible for providing appropriate anchoring devices to support load of fixture.

! Risk of fire and electrical shock. Disconnect power at electrical panel before servicing. Fixture must be installed by a qualified electrician only in accordance with national, local building and electrical codes.

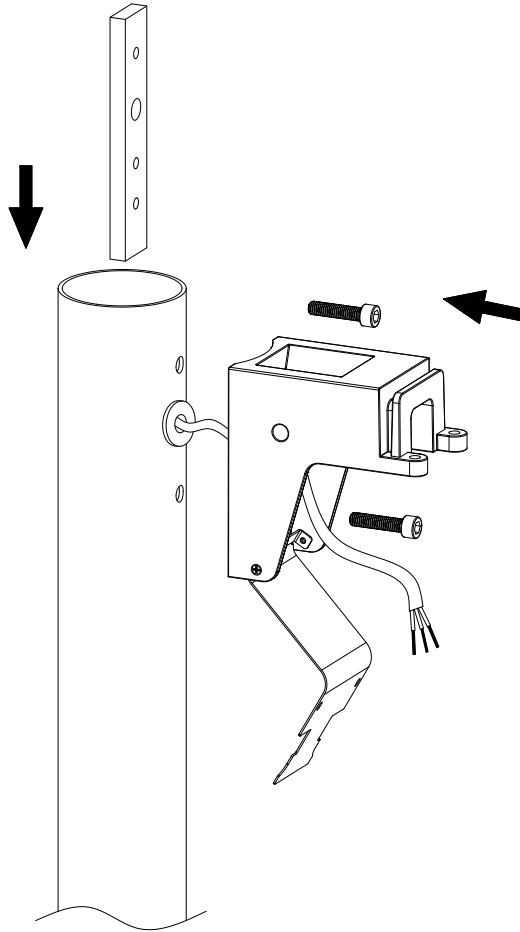
1 Drill holes according to the template



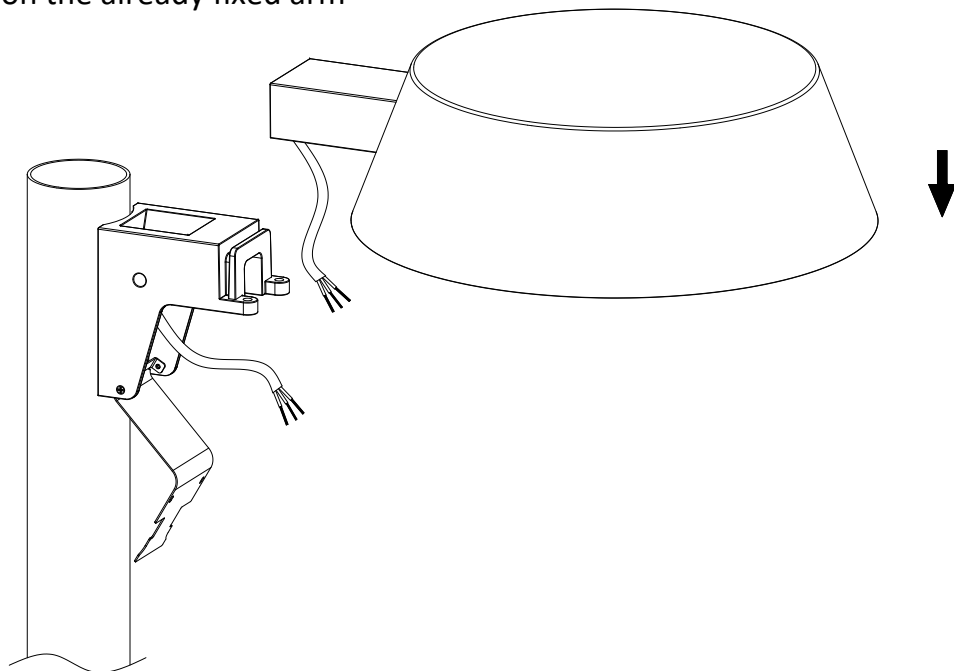
2 Borrow tools to strike the gap in the arm (For circular poles)



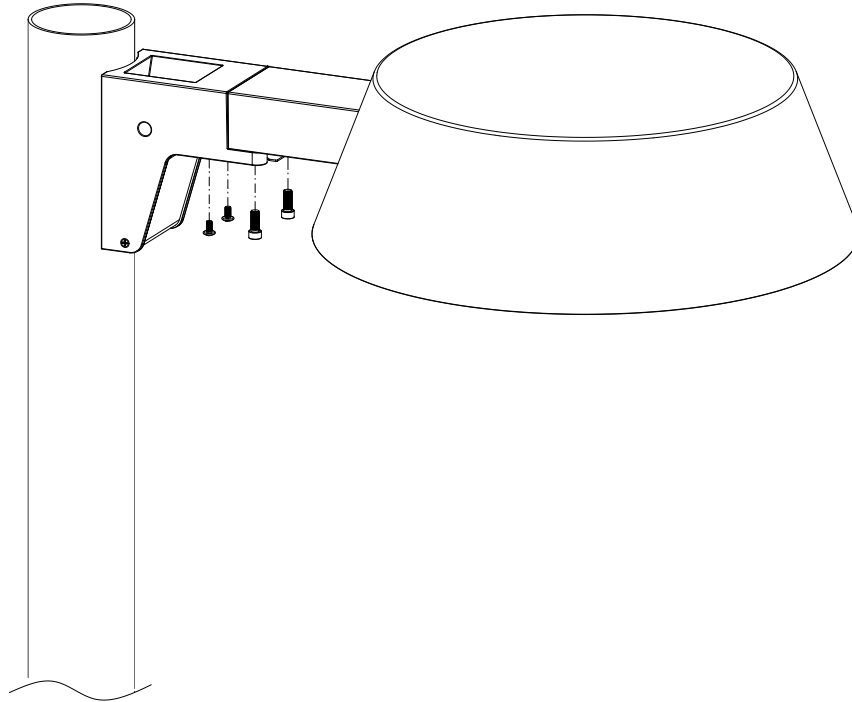
3 Fixed arm



4 Place the fixture on the already fixed arm

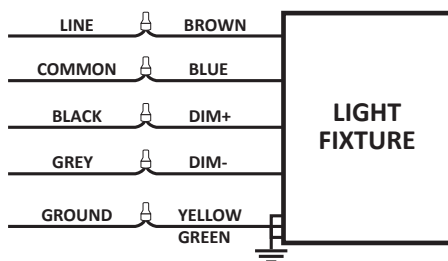


5 Refer to the wiring diagram for wiring and secure the fixture



ON-OFF WIRING METHOD:

Universal voltage driver permits operation at 120V through 277V, 50 or 60HZ.



GROUND (YELLOW GREEN)
 NEUTRAL (BLUE)
 LINE (BROWN)
 DIMMING - (GREY)
 DIMMING + (BLACK)